

Whitney & Son, Inc.

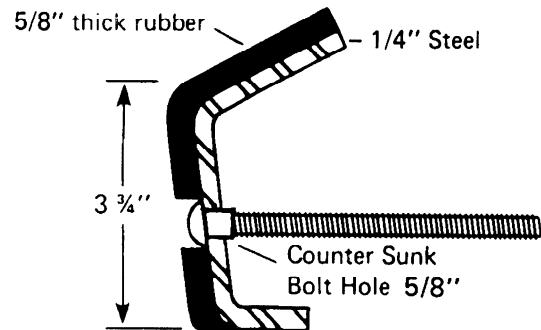
95 Kelly Avenue
Fitchburg, MA 01420

978-343-6353
Toll Free 800-245-5472
Fax 978-343-6586

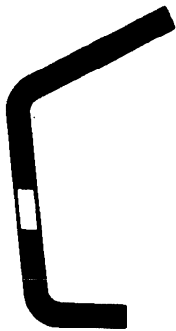
HOLD DOWN RAILS manufactured in our **FITCHBURG WAREHOUSE** to fit original manufacturers screens with or without Bonded Rubber Guard.

SUPER HEAVY DUTY RUBBER COVERED RAIL

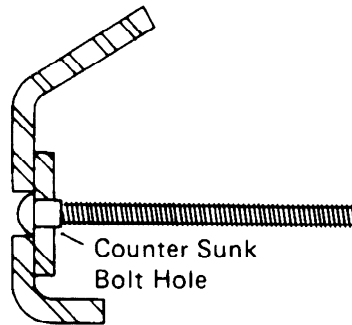
$\frac{5}{8}$ " heavy duty vulcanized rubber is bonded to original manufacturer style of hold down rail or our standard rail. Rubber rails outwear O.E.M. steel rails up to 6 times. Virtually eliminates all the head wear on hold down pins and tension bolts.



STEEL RAIL



COUNTER SUNK STEEL RAIL



Standard rail fits Hewitt-Robins, Tyler, Allis-Chalmers, Seco, Deister, Telsmith, Nordberg and others. Other rails available upon request in a variety of thicknesses and steel.

YOUR WHITNEY AND SON, INC. REPRESENTATIVE IS: